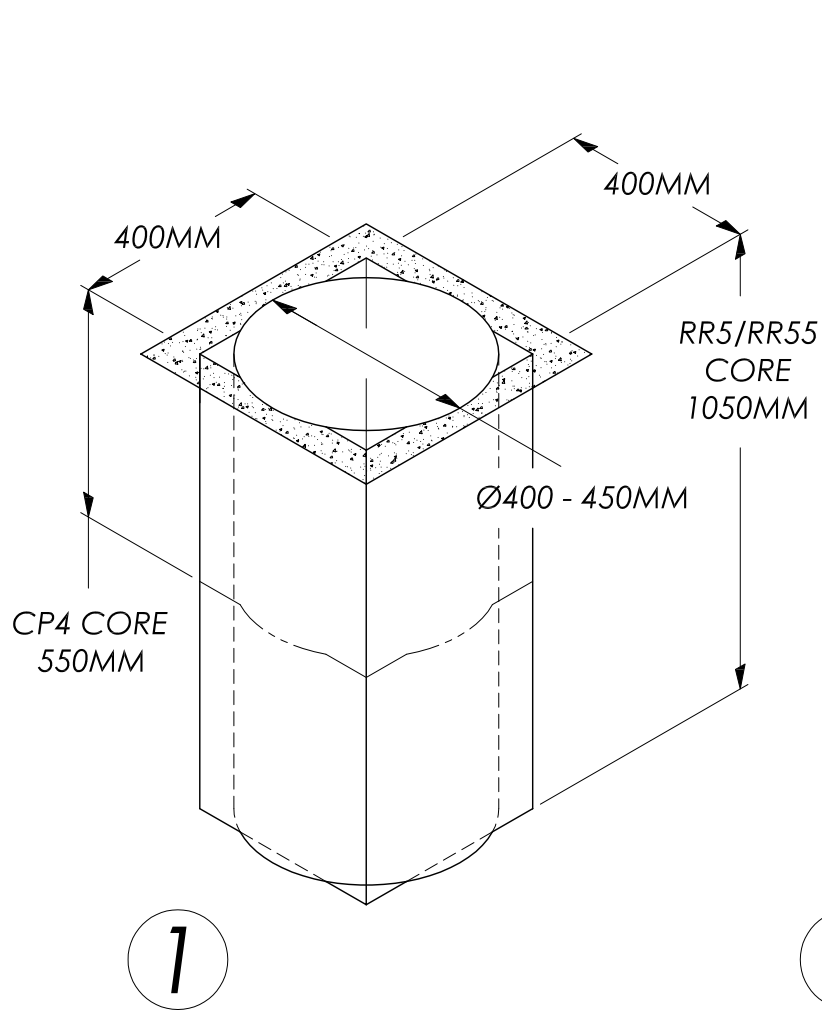
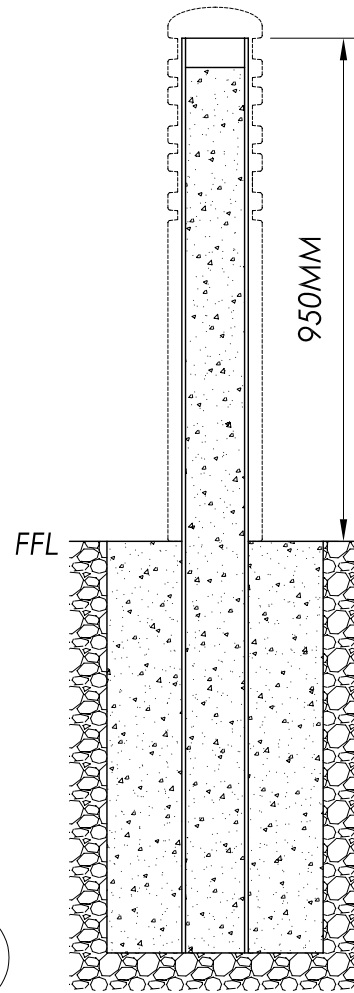


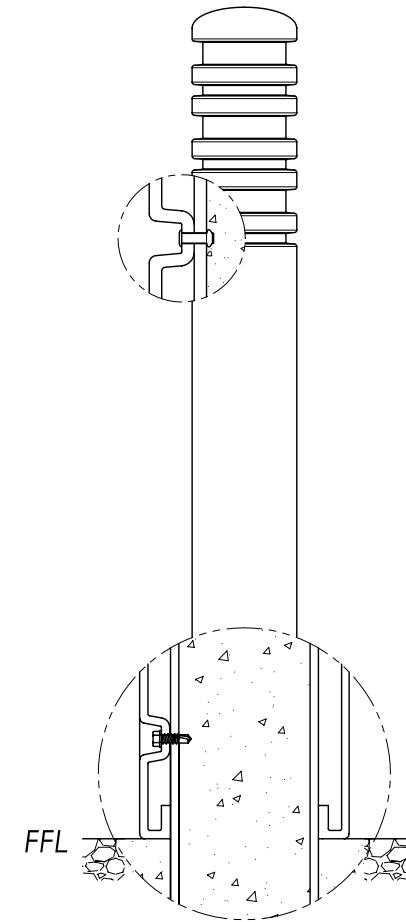
McCUE ECO BOLLARD INSTALLATION



EXCAVATE EITHER
SQUARE OR ROUND HOLE



INSTALL CORE &
FILL WITH CONCRETE



REMOVE LABEL AND FIXINGS.
INSTALL BOLLARD. DRILL & FIX BOTTOM
SECURITY SCREW (RECOMMEND 110V TEK GUN).
DRILL AND INSTALL SECOND SECURITY POP RIVET
IN THE BOTTOM RECESS UNDER REFLECTOR

SECURITY SCREW MUST BE FITTED