



Green Guard - Installation Instructions

1", 2" & Ellipse profiles

GGT-10 (1" Top)



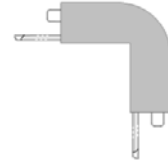
GGB-10 (1" Base)



GGE-10 (1" End Cap)



GGC-10 (1" Corner)



3" & 8" profiles

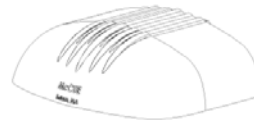
GGT-35 (3" Top)



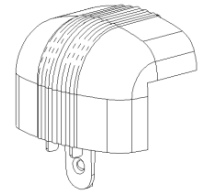
GGCGB-30-400 (3" Top)



GGE-35



GGC-35



GGT-80 (8" Top)



GGB-80-400



GGE-80 (8" Top)

GGC-80 (8" Top)



Suggested Equipment Required

Safety Glasses



Ear Protection



Level



Chop Saw



Hack Saw



Cordless Screw driver



Tape measure



Hand Drill



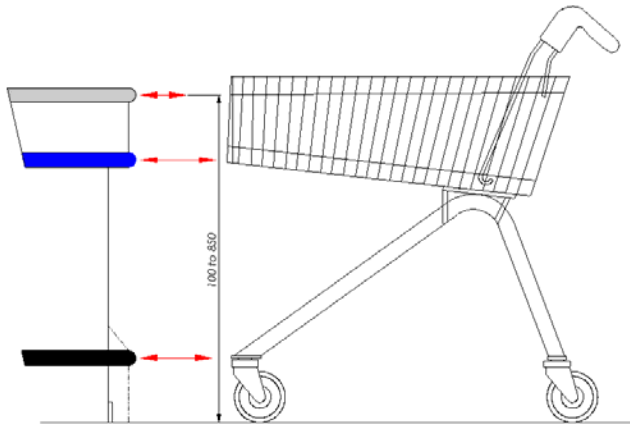
6mm Drill Bit



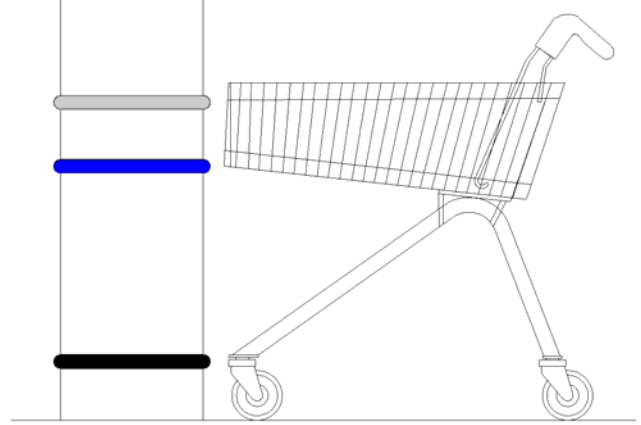


Position Bumper to suit trolley

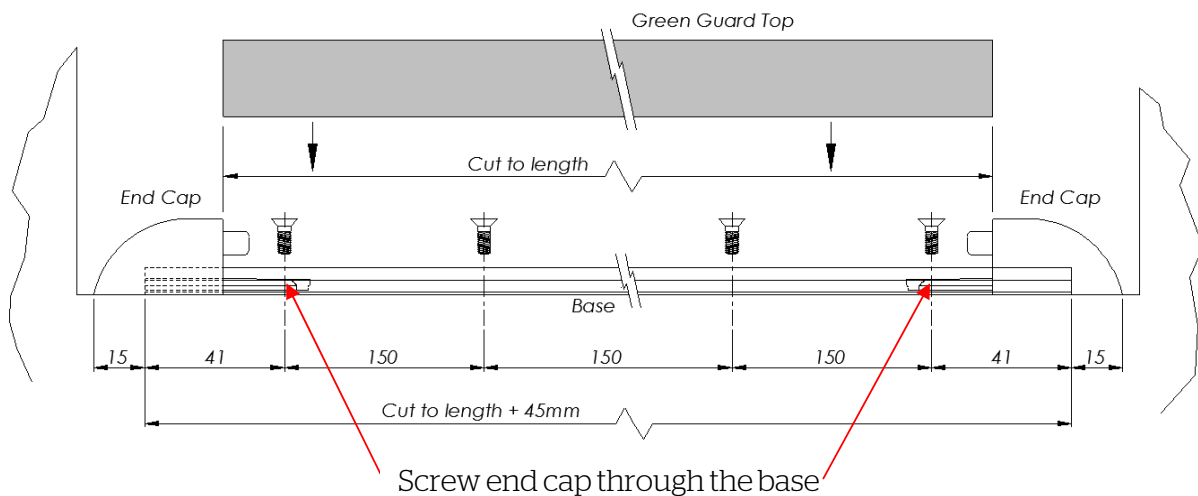
Till Protection



Column Protection

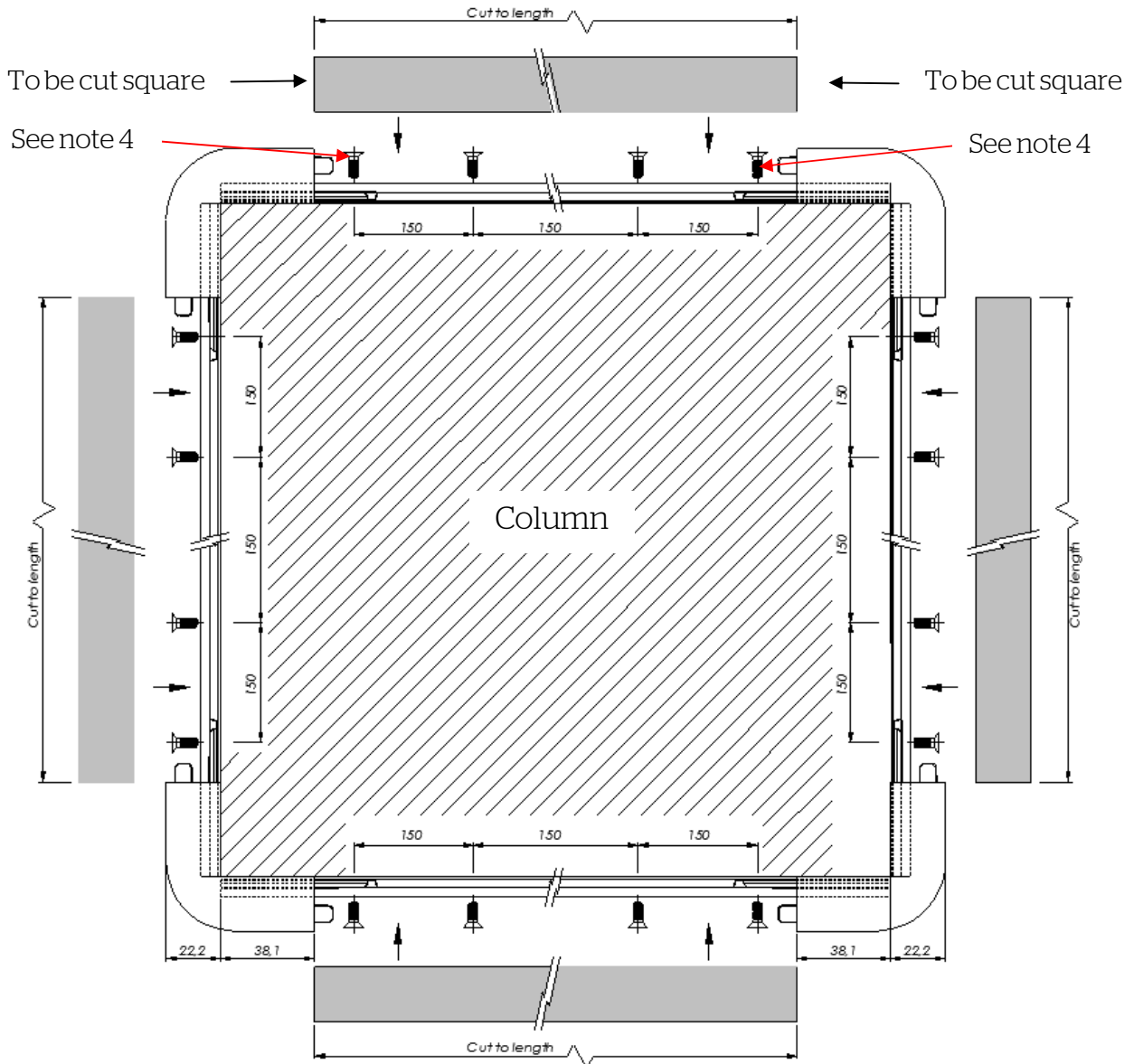


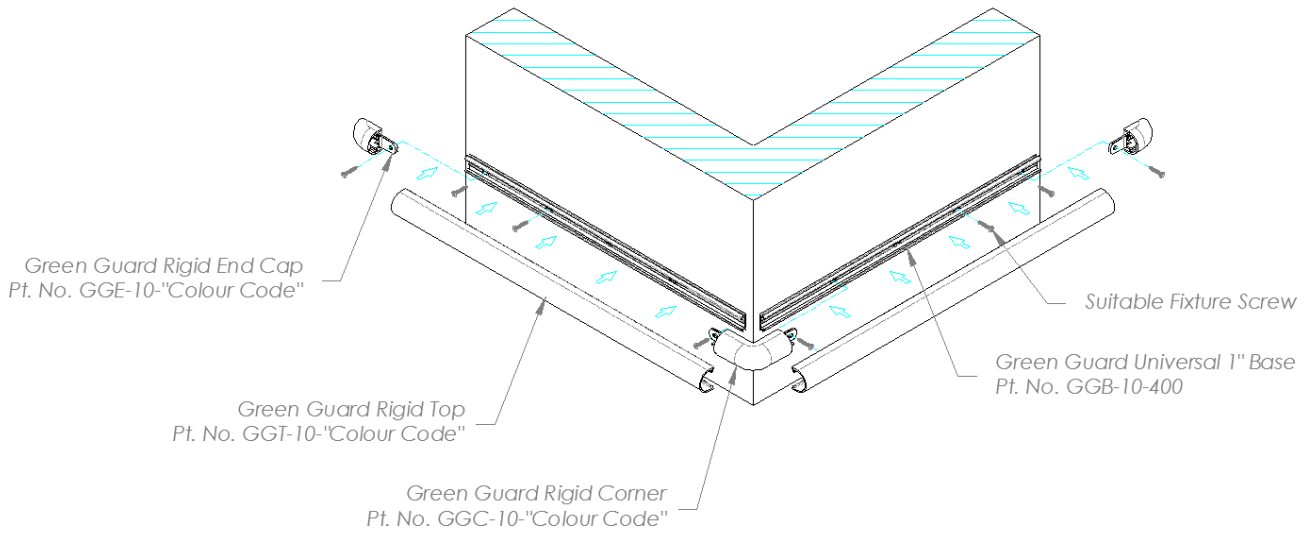
Stage 1 - Position end caps or corners





1. Measure the cart guard base and cut to suit.
2. Screw the base to the wall, putting a suitable screw fixing in every 150mm
3. Measure the gap between the end caps and 'cut to length' the green guard top.
4. End caps and corners should be screwed into place through the base.
5. Push the 'Guard Top' down onto the base until it snaps into place.





Measure from the finished floor level to the height of the bumper to get a level.
Check the level of the bumper with the 'level' before putting the second screw in.



1. Use a hack saw when cutting shorter lengths of green guard

